

PERI UP Shoring Towers

Modular Rosett Scaffolding System

Safe

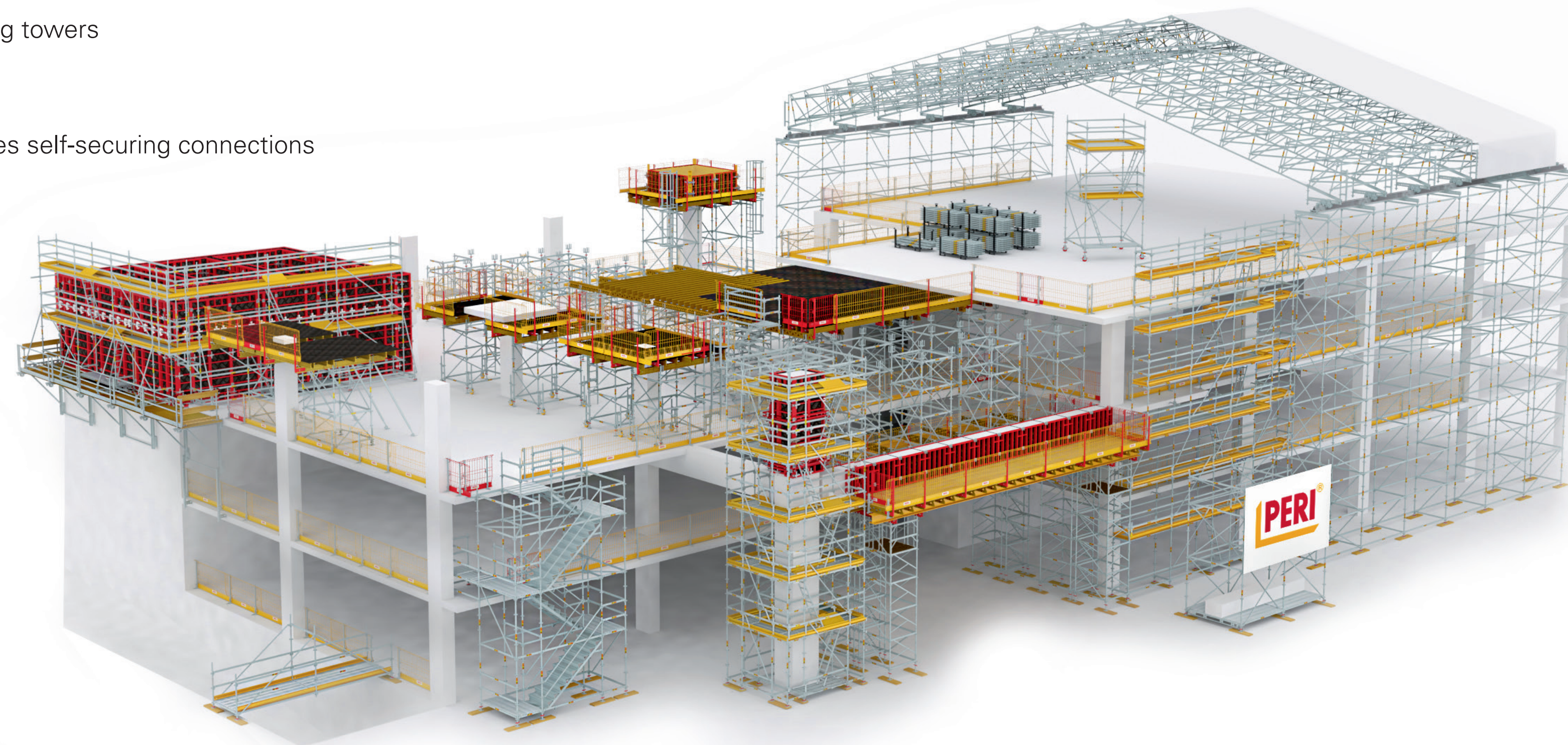
- High level of working safety at all heights

Flexible

- Assemble up to H= 21.89 m high shoring towers

Fast

- Simpler assembly - Gravity locks provides self-securing connections



Safe

Safe assembly of high shoring towers

- Two options for assembling PERI UP high shoring towers
 - Assemble flat at ground level – reposition by crane
 - Assemble tower in place
- Horizontal Ledgers provides a guardrail barrier during assembly, work sequence and dismantling
- Site personnel can install system components behind secure locations
- Tie off points at Rosett node



Flexible

Suits different geometries and load bearing requirements

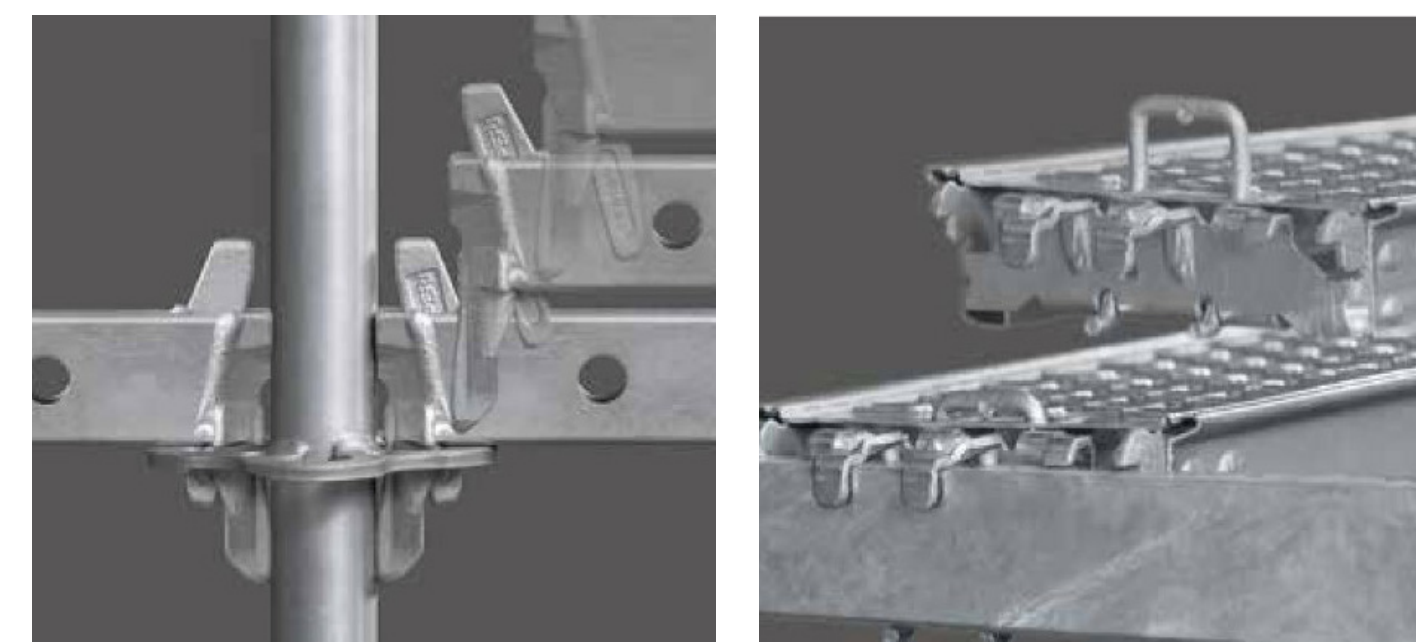


- Type tested shoring towers up to heights of 21.89 m
- Compatible with PERI SKYDECK / GT 24 / VT 20 Girder shoring systems
- Integrate stair towers for safe access and egress at high levels

Fast

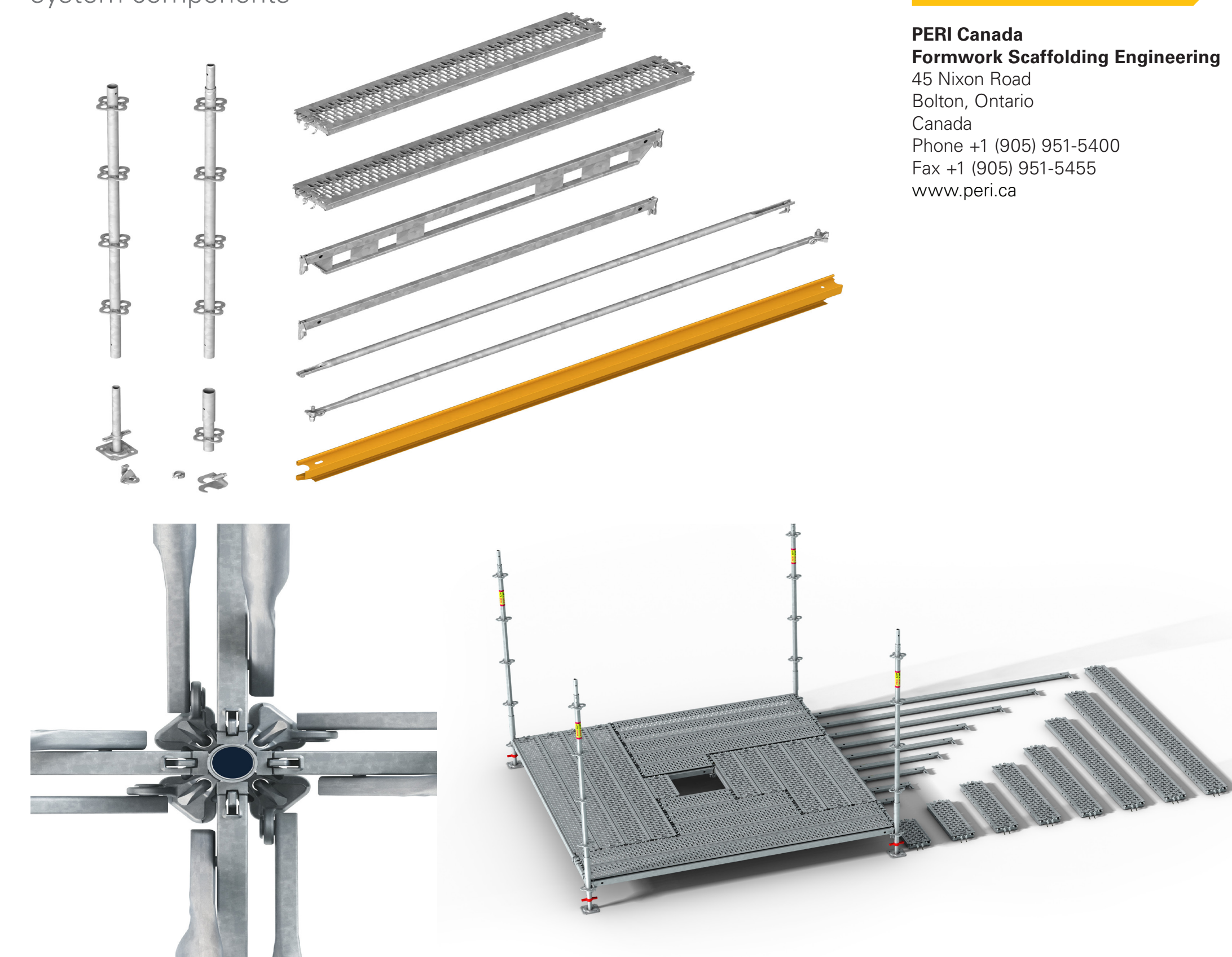
PERI UP connections features allows for safe and quick assembly

- Gravity lock, the self securing connection, secures the horizontal ledger to the Rosett
- Simple decking installation – integrated clamps engages the horizontal ledger profile
- Assembly benefits of the PERI SKYDECK/GT 24 Girder shoring systems

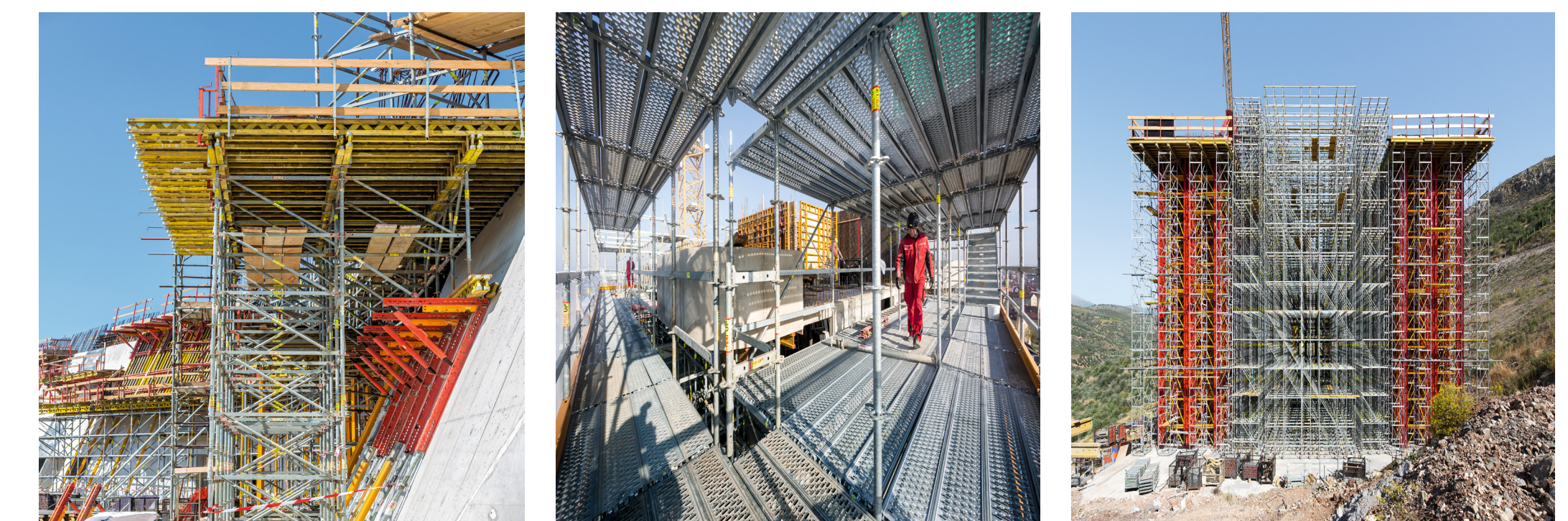


Fewer system components

Wide range of scaffolding applications possible with the few core system components



- Uniform width and length grid arrangements
- Light weight system components – handled by one person
- Emergency Egress, Industrial, civil and residential applications.



★ Product Features ⚙️ Technical Advantage 📈 Cost Advantage

Gravity Lock Connections	Components can be installed without tools	Reduced number of laborers required on the jobsite
Vertical Standard UVR	Rosett node provides multiple angles and connection points	Reduced equipment required on jobsite
Prophead SSKS	Combination of PERI UP and SKYDECK shoring systems	Reduced material and labour costs

Scan for more information

